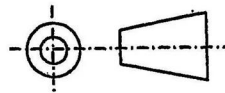


**Test Project for the 41st Worldskills
Competition in London, England 2011**



SKILL: 27- JEWELLERY

Scale: 1-1 Date: 2011 Paper: A4



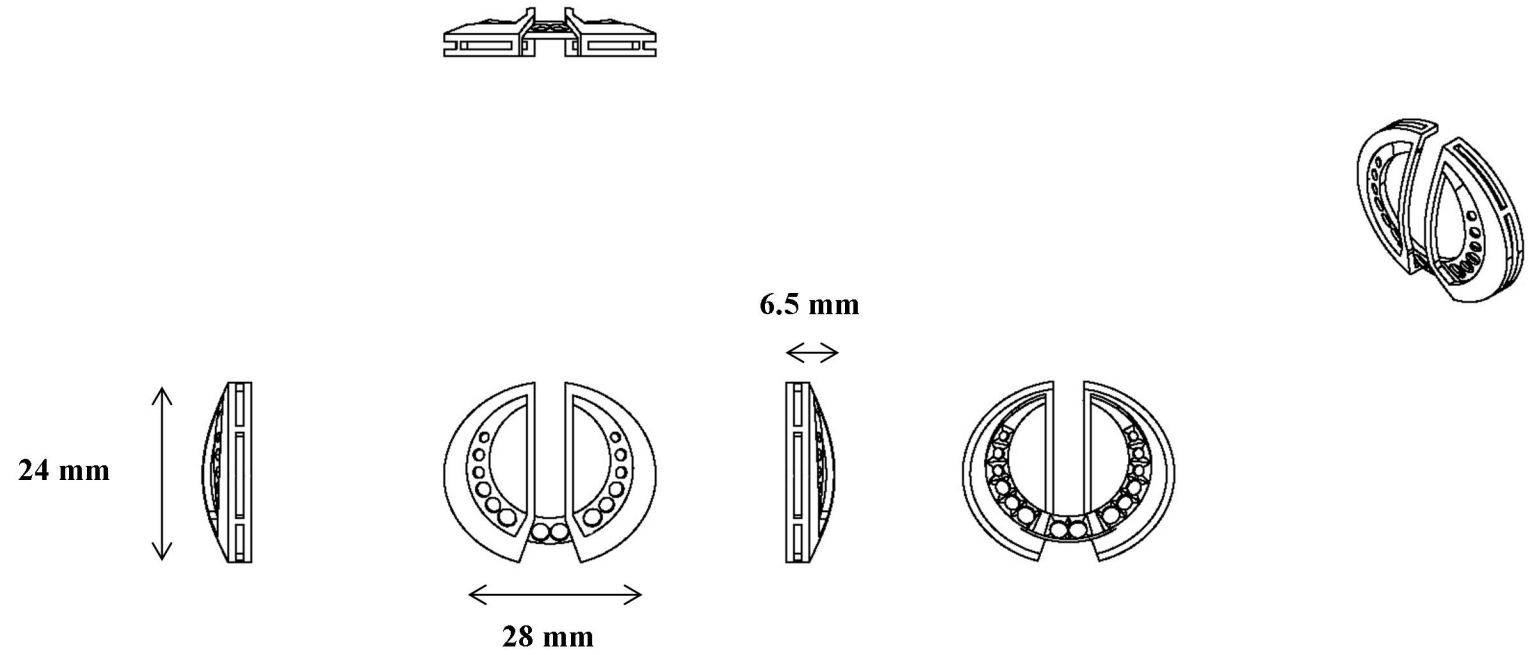
Design/Drawn: D May /D Garberg

Australia.pdf

Description: 22Hour Modular Project

Page: 1/6

Module 1 6 Hours



**Test Project for the
41st Worldskills
Competition in London,
England 2011**



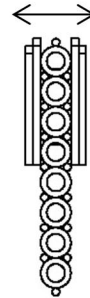
SKILL: 27- JEWELLERY			
Scale: 1-1	Date: 2011	Paper: A4	
Design/Drawn: D M ay/D Garberg			Australia.pdf
Description: 22Hour Modular Project			Page: 2/6

Module 2 5 Hours

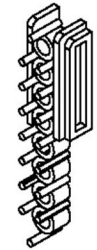
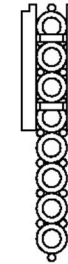
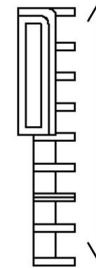
7.5mm



8.0 mm



34 mm



**Test Project for the
41st Worldskills
Competition in London,
England 2011**



SKILL: 27- JEWELLERY

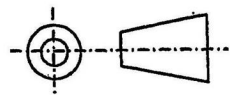
Scale: 1-1 Date: 2011 Paper: A4

Design/Drawn: D M ay/D Garberg

Australia.pdf

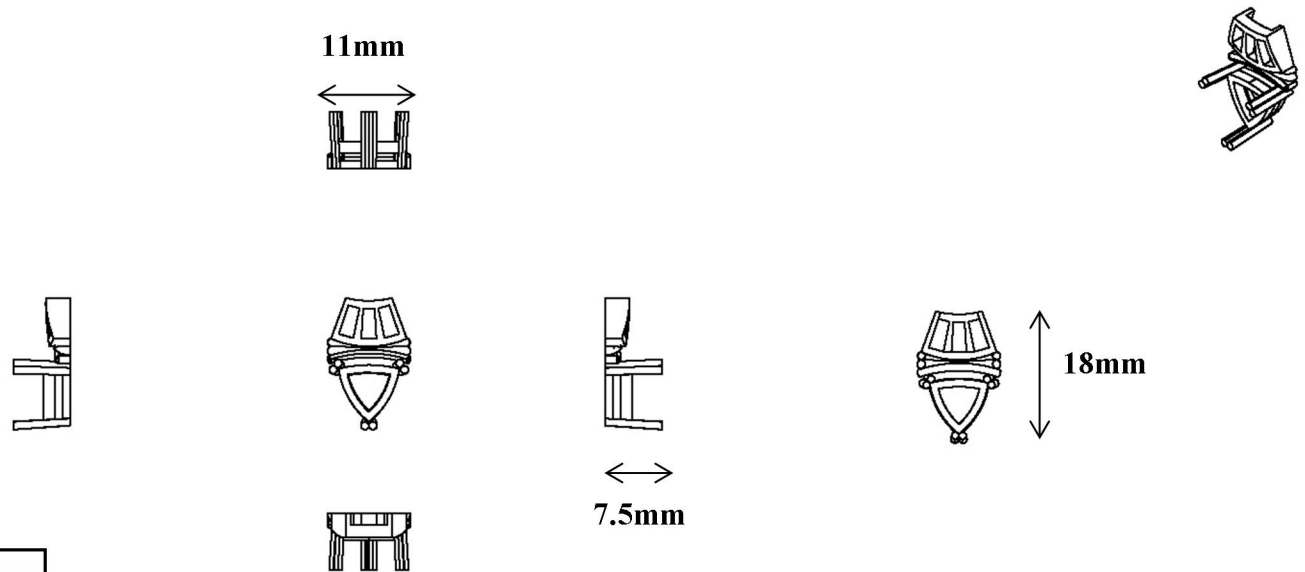
Description: 22Hour Modular Project

Page: 3/6



Module 3

6 Hours



**Test Project for the
41st Worldskills
Competition in London,
England 2011**



SKILL: 27- JEWELLERY

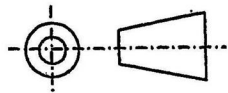
Scale: 1-1 Date: 2011 Paper: A4

Design/Drawn: D M ay/D Garberg

Australia.pdf

Description: 22Hour Modular Project

Page: 4/6



Module 4 5 Hours

7.5mm



11mm



11mm

**Test Project for the
41st Worldskills
Competition in London,
England 2011**



SKILL: 27- JEWELLERY

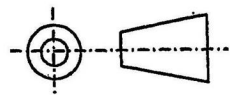
Scale: 1-1	Date: 2011	Paper: A4
---------------	---------------	-----------

Design/Drawn: D M ay/D Garberg

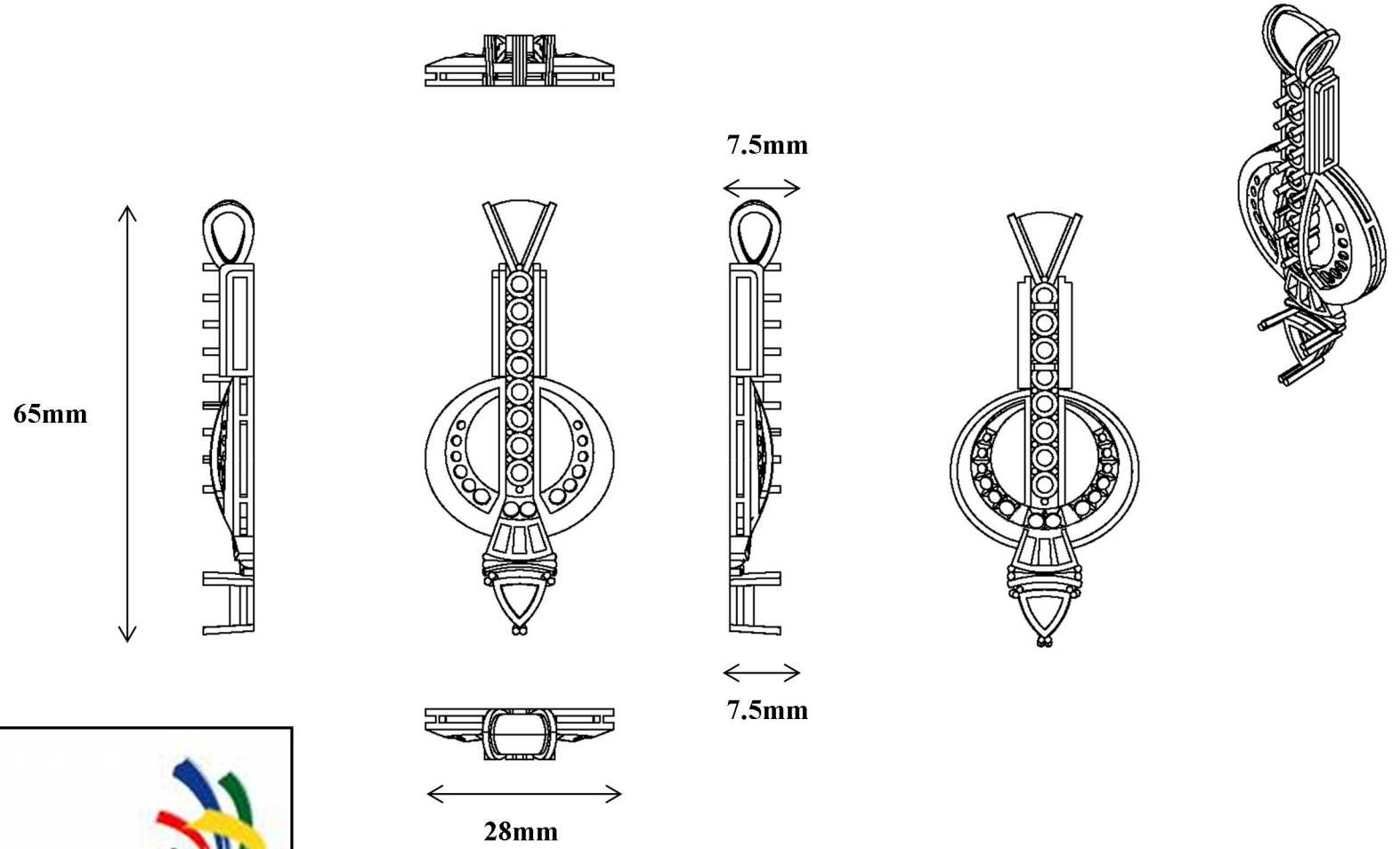
Australia.pdf

Description: 22Hour Modular Project

Page: 5/6



Module 4 5 Hours



**Test Project for the
41st Worldskills
Competition in London,
England 2011**



SKILL: 27- JEWELLERY

Scale: 1-1	Date: 2011	Paper: A4
---------------	---------------	-----------

Design/Drawn: D M ay/D Garberg

Australia.pdf

Description: 22Hour Modular Project

Page: 6/6

